

2.5kW Helium Compressor (HAC 900)

Performance Characteristics

- Variable speed control
- Energy smart
- Long service life
- Air cooled
- Remote control
- Real time diagnostics
- “On-demand” cooling power

Application

- Superconducting magnet systems
- LTS electronics and SQUIDs
- Optical Cryostats
- LT Microscopes

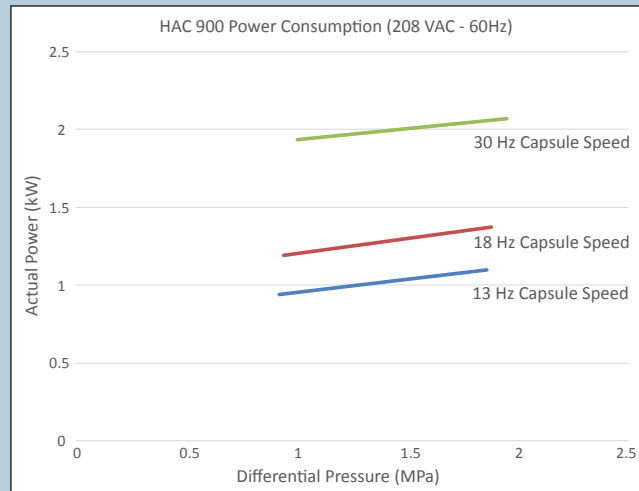
Accessories

- Input Power Cable – 2.5 meters
- Flexible Gas Lines – 3 meters or 15 meters
- Software Development Kit (SDK)
- Computer Interface via USB



HAC 900 Compressor

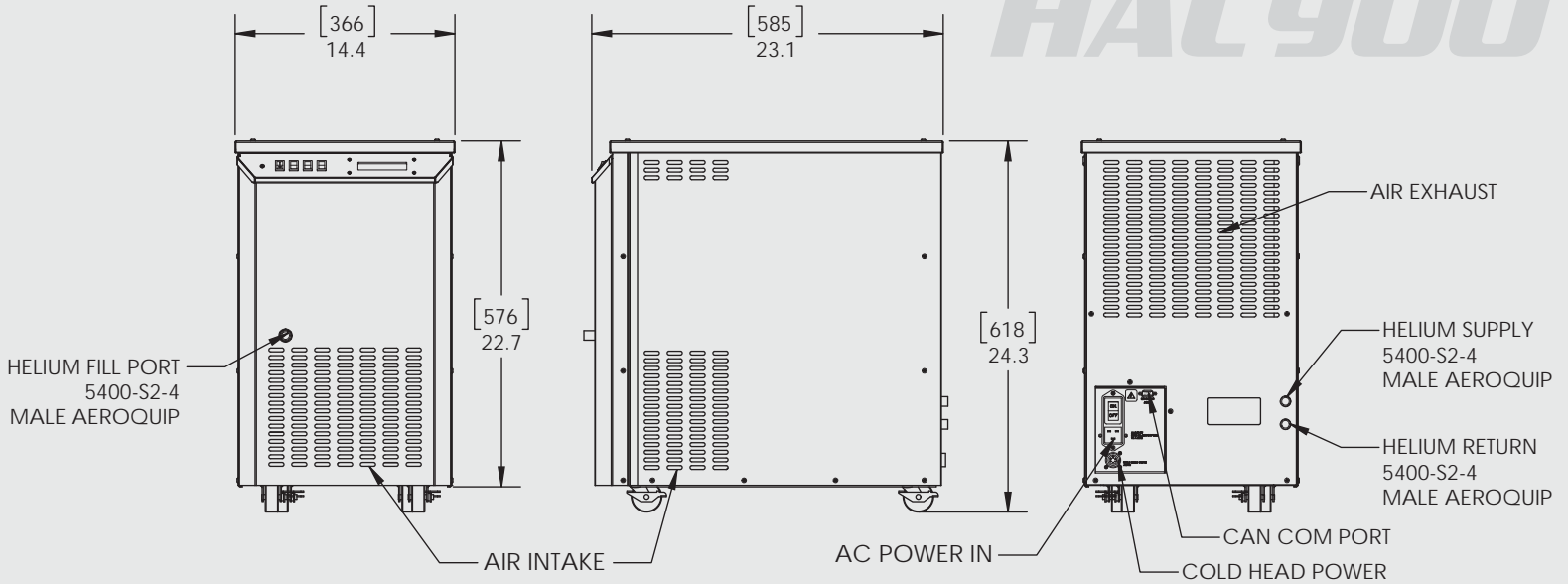
Energy Efficient: Power Study



Power draw from wall measured with Fluke 437 digital meter at 2 capsule speeds and varying head speeds

HAC9000

HAC900



HAC 900

Specifications

Compressor	HAC900
Cold Head Compatibility	Sumitomo RDK 101D 3 phase
Static Charge Pressure	1.81 MPa
Max Supply Pressure	2.5 MPa
Min Return Pressure	0.25 MPa
Power	1 Phase 200-240 VAC (50/60Hz)
Power Consumption High Speed (30 Hz)	2.0 KW Max
Power Consumption Normal Speed (18 Hz)	1.3 KW Max
Power Consumption Low Speed (13 Hz)	1.0 kW Max
Ambient Operating Temperature	5 to 30 °C
Humidity	0 to 95% non condensing
Installation Type	Indoor Only
Dimensions	366 x 585 x 618 mm
Weight	105 kg
Maintenance Interval	20,000 hours
Standard Flex Line	3 meters or 15 meters

HAC 900 Compressor



Quantum Design, Inc.
 10307 Pacific Center Court, San Diego, CA 92121
 Tel: 858.481.4400 Fax: 858.481.7410
www.qdusa.com • info@qdusa.com

Specifications subject to change without notice
 1610-001 Rev. A0 (Oct. 2017)